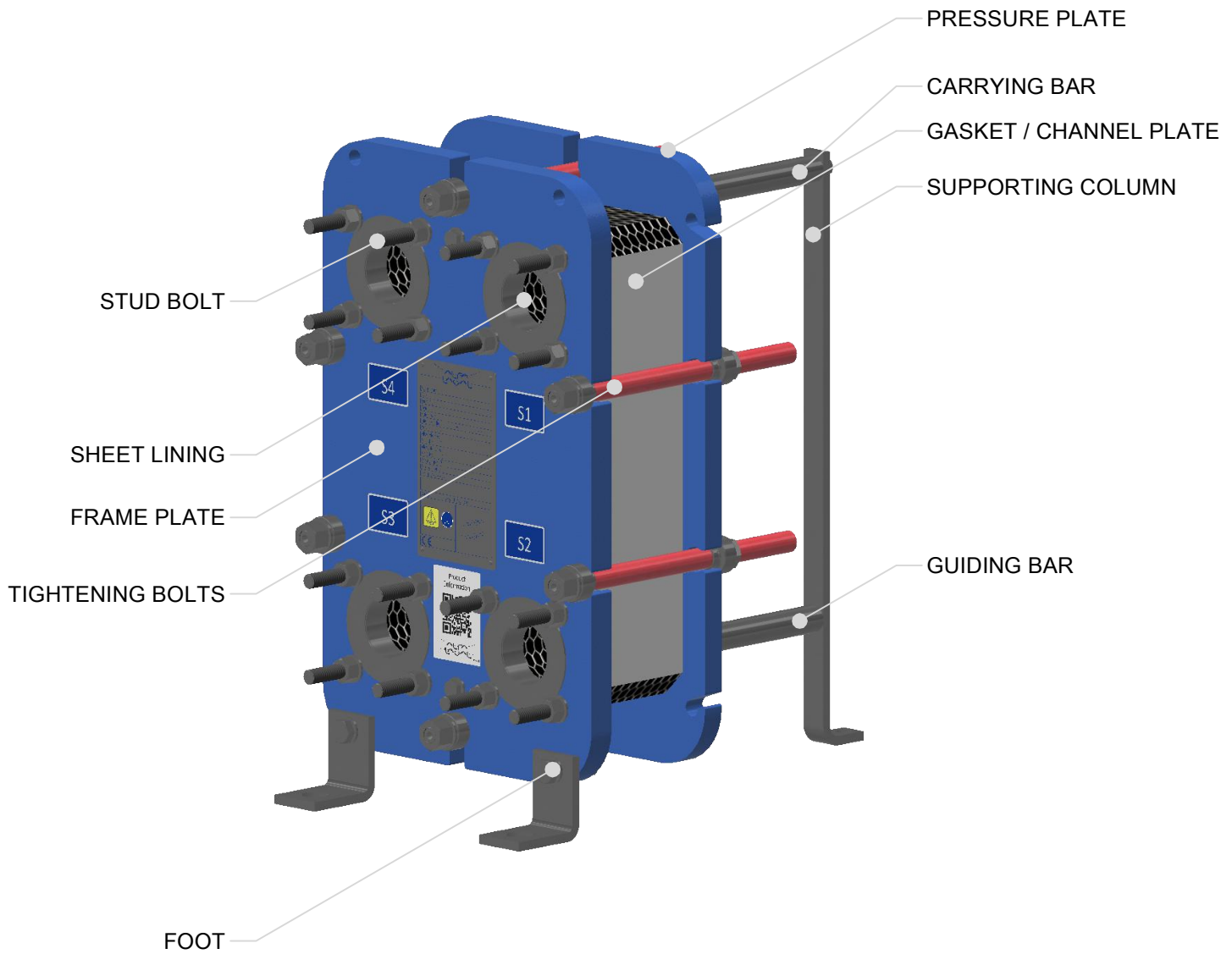


TS6-MFG

Serial No.: AAM1060353

Order No.: K26-697714-10



This document and its contents are subject to copyrights and other intellectual property rights owned by Alfa Laval AB (publ) or any of its affiliates (jointly "Alfa Laval"). No part of this document may be copied, re-produced or transmitted in any form or by any means, or for any purpose, without Alfa Laval's prior express written permission. Information and services provided in this document are made as a benefit and service to the user, and no representations or warranties are made about the accuracy or suitability of this information and these services for any purpose. All rights are reserved.

4940573763

@ ALFA LAVAL TECHNOLOGIES AB, LUND, SWEDEN

Purchase order: 928956686row10
 Line: 1
 Item no: 4940573763
 SerialNo: AAM1060353
 Calculation drawing no: 3490012674-2



Part list

Block	Block description	Item No	Item description	Quantity
MSI0000536	TIGHTENING BOLT	822070 0002	M20,L=330,Staked/Pin-locked	6
MSI0001810	FRAME PLATE	82302098 01	TS6-FG,4H, PN10 and PN16	1
MSI0001827	PRESSURE PLATE	822230 0001	TS6-FG,EN 13445	1
MSI0001940	BARS	822186 0002	L=500	2
MSI0003931	CHANNEL PLATE	39000004 03	METALLIC COMPLETE PLATE	28
		39005814 26	Field Gasket	28
MSI0003932	END PLATE II	39000004 03	METALLIC COMPLETE PLATE	1
		39005814 26	Field Gasket	2
MSI0004514	END PLATE I	39000018 76	RAW PLATE	1
		39005814 26	Field Gasket	1
MV00000129	PRESSURE RETAINING NUT	3350026836	M6M,M20	6
MV00000217	TYPE PLATE	82300701 01	QR-label	1
		66169	DRIVE SCREW	4
		1639001 01	CE, English	1
MV00000241	CONNECTION LABEL	82300070 01	CONNECTION LABEL	1
MV00000242	CONNECTION LABEL	82300070 02	CONNECTION LABEL	1
MV00000243	CONNECTION LABEL	82300070 03	CONNECTION LABEL	1
MV00000244	CONNECTION LABEL	82300070 04	CONNECTION LABEL	1
MV00000280	INSPECTION, ZI10			1
MV00000357	BoltAssy_Structural	223101 49	BRB 13 X 24 - 8,8	2
		221045 09	ISO 4017 - M12 X 30 - 8.8	2
MV00000515	BoltAssy_Structural	221045 50	ISO 4017 - M12 X 50 - 8.8	2
		223101 49	BRB 13 X 24 - 8,8	2
MV00000524	WARNING SIGN	82304671 01	Warning label	2
MV00000547	CERTIFICATES, ZC07			1
MV00001079	LOCK WASHER	3350005003	LOCK WASHER	6
MV00001283+	PLASTIC TUBE	1995 101 096	M20	2
MV00001288	BoltAssy_Structural	2210462 30	ISO 4014 - M16 X 70 - 8.8	2
		70490	BRB 17 X 30 - 8,8	2
MV00001307	NutAssy_Structural	70490	BRB 17 X 30 - 8,8	2
		221803 34	NUT	2
MV00001376	PRESSURE RETAINING NUT	1644433 01	Nut	16
MV00001378	TIGHTENING & GUIDING DEVICE	3350027971	M20	6
		223101 52	BRB 21 X 37 - 8,8	6
		70490	BRB 17 X 30 - 8,8	16
MV00001381	PLAIN WASHER			
MV00002021	FOOT	1640927 01	Standard,EN ISO 1461,1312-00	2
MV00002022	SUPPORTING COLUMN	82300363 01	Flat bar,TS6,L=638	1
MV00002066	METAL LINING			4
MV00002076	DISTANCE SHEET	1640917 01	DISTANCE SHEET	1
MV00002187	LOGO PLATE	1643835 02	"ALFA LAVAL", PLASTIC	1
MV00002228	PROTECTING COVER	1640924 02	PROTECTION SHEET	1
MV00002253	SKID BASE	32900272 07	Pallet, lying,L=SPEC	1
MV00002262	CASE	32900272 02	Complete, lying,L=500	1
		32900272 06	Lid,L=SPEC	1
MV00009525	DOCUMENTS	3490023853	INSTRUCTION MANUAL	1
MV00012294	STUD BOLT	82301649 38	M16,L=90	16

Plate hanging list



Gasketed Plate Heat Exchanger

Purchase order no: 928956686row10
Line no: 1
Item no: 4940573763
Serial no: AAM1060353

Model TS6-MFG
Number of units 1
Supplier order no K26-697714
Project ref
Line ref
End customer Asepti B.V.
End customer order no

Material ALLOY 316
Number of plates 30
Thickness 0.60 mm
A-Measure 139 mm

	<u>Hot side</u>	<u>Cold side</u>
Grouping	1*14 L	1*15 L
Sealing material	EPDMFF	EPDMFF
Sealing attachment principle	Clip-on	Clip-on
Plate surface finish	Unpolished	Unpolished
Nozzle orientation	S1=>S2	S3=>S4

Section & Area	Flowrate	Media	FDG	Temperature progr.	Pressure drop	Fluid volume	Inlet	Outlet	Grouping
1	431.9 kg/h	Water-Steam	2	143.7 °C => 143.6 °C	0.1 kPa	6.67 dm ³	S1	S2	1*14 L
2.40 m ²	15000 kg/h	Water	2	65.0 °C => 80.0 °C	2.7 kPa	7.13 dm ³	S3	S4	1*15 L

Plate hanging list



Gasketed Plate Heat Exchanger

Purchase order no: 928956686row10
Line no: 1
Item no: 4940573763
Serial no: AAM1060353

Frame Plate	
S1 Flange EN 1092-1 PN16 DN65 lining ALLOY 316	S2 Flange EN 1092-1 PN16 DN65 lining ALLOY 316
S3 Flange EN 1092-1 PN16 DN65 lining ALLOY 316	S4 Flange EN 1092-1 PN16 DN65 lining ALLOY 316
Pressure Plate	
T1 No hole	T2 No hole
T3 No hole	T4 No hole

Plate hanging list



Gasketed Plate Heat Exchanger

Purchase order no: 928956686row10
 Line no: 1
 Item no: 4940573763
 Serial no: AAM1060353

Channel plates are assembled with the gasket side facing the frame plate.

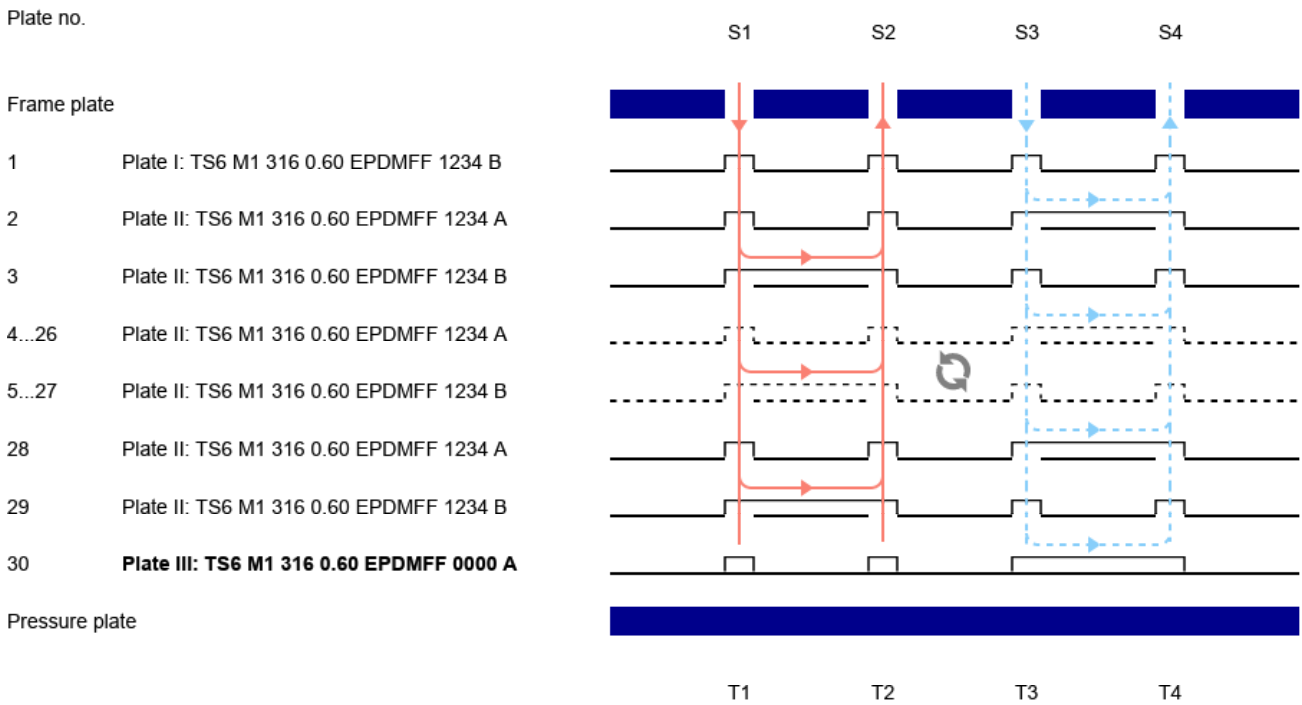


Plate hanging list



Gasketed Plate Heat Exchanger

Purchase order no: 928956686row10
 Line no: 1
 Item no: 4940573763
 Serial no: AAM1060353

Plate and gasket summary

Complete plate	Module no	Article no	Qty	Qty/pl	Function / Name	Description
Plate I	MSI0003932	3350038772	1		End Plate 2	TS6 M1 316 0.60 1234, EPDMFF n/a Clip-on
	MV00001803	39000004-03		1	Metallic complete plate	TS6 M1 316 0.60 1234
	MV00002361	3900840446-26		1	Field with 4 rings	TS6 M EPDMFF n/a Clip-on
Plate II	MSI0003931	3350038771	28		Channel Plate	TS6 M1 316 0.60 1234, EPDMFF n/a Clip-on
	MV00001803	39000004-03		1	Metallic complete plate	TS6 M1 316 0.60 1234
	MV00001884	39005814-26		1	Field with 2 rings	TS6 M EPDMFF n/a Clip-on
Plate III	MSI0004514	3350039455	1		End Plate 1	TS6 M1 316 0.60 0000, EPDMFF n/a Clip-on
	MV00002662	39000018-16		1	Metallic complete plate	TS6 M1 316 0.60 0000
	MV00001884	39005814-26		1	Field with 2 rings	TS6 M EPDMFF n/a Clip-on

Total plates: 30

Total metallic complete plates: 30

Total gaskets: 30

Plate hanging list



Gasketed Plate Heat Exchanger

Purchase order no: 928956686row10
 Line no: 1
 Item no: 4940573763
 Serial no: AAM1060353

Gasket summary

Module no	Article no	Qty	Function / Name	Description
MV00002361	3900840446-26	1	Field with 4 rings	TS6 M EPDMFF n/a Clip-on
MV00001884	39005814-26	29	Field with 2 rings	TS6 M EPDMFF n/a Clip-on
Total:		30		

Metallic complete plate summary

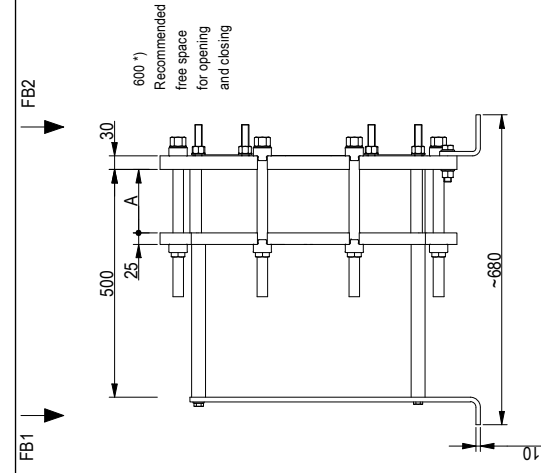
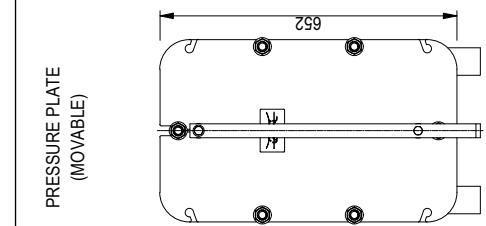
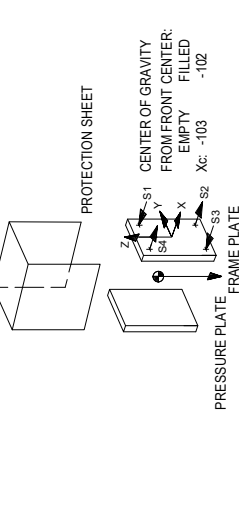
Module no	Article no	Qty	Description
MV00001803	39000004-03	29	TS6 M1 316 0.60 1234
MV00002662	39000018-16	1	TS6 M1 316 0.60 0000
Total:		30	

Complete summary table

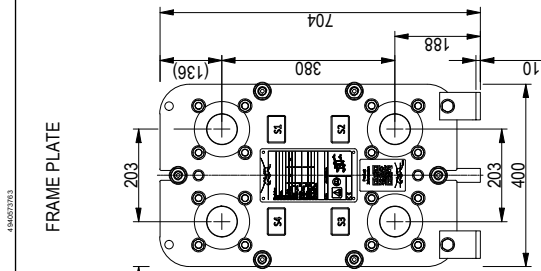
Complete plate	Module no	Article no	Qty	Function / Name	Description
Plate I	MSI0003932	3350038772	1	End Plate 2	TS6 M1 316 0.60 1234, EPDMFF n/a Clip-on
Plate II	MSI0003931	3350038771	28	Channel Plate	TS6 M1 316 0.60 1234, EPDMFF n/a Clip-on
Plate III	MSI0004514	3350039455	1	End Plate 1	TS6 M1 316 0.60 0000, EPDMFF n/a Clip-on
Total:			30		

All dimensions in millimetres (mm)

COLOR CODE
Alfa Laval Blue - RAL5002

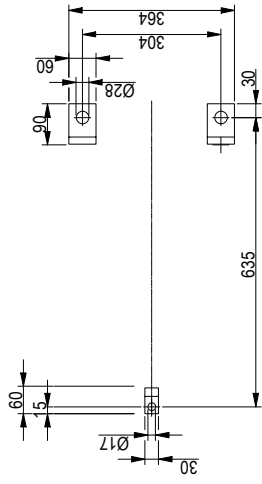


Space between pressure plate and supporting column should be kept free from fixed installations



600 *) / 300 **) Recommended free space for opening and closing to be applied on both sides

**) Free space can be reduced to this distance on one of the sides

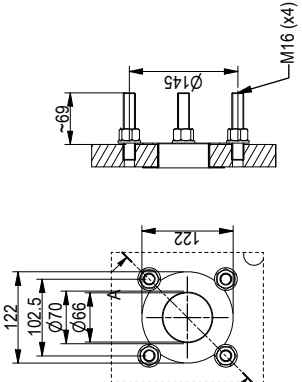


Rec. foundation bolts, frame and pressure plate Bolt M16

Max. height above ground level 40 mm

Bolts not included

EN 1092-1 DN65 PN16
S1, S2, S3, S4



SELF-WEIGHT FORCE	OPENED	OPERATING
FB1	720 N	246 N
FB2	794 N	1397 N
TIGHTENING BOLTS	6 x M20, L = 330	

PLATE PACK TIGHTENING TO (A)	139 +0/-2 mm
WEIGHTS	
NET WEIGHT, EMPTY	154 kg
WEIGHT FULL OF WATER	168 kg
PLATE MATERIAL	ALLOY 316
PLATE THICKNESS	0.6 mm
GASKET	EPDM/FF Clip-on
HEAT TRANSFER AREA	2.40 m ²
CHANNEL ARRANGEMENT	1*14 L / 1*15 L

NO OF PLATES 30
EXTENSION CAPACITY (PLATES) 13% (4)

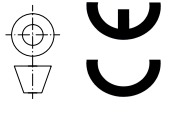
Customer: Asepti B.V.

Order No.:
Sales company: Alfa Laval P.O. No:
Supplier: LUND_SEI
Order No.: K26-697714-10
Serial No.: AAAM1060353

PRODUCTION DRAWING
GASKETED PLATE HEAT EXCHANGER
TS6-MFG
PED Category I

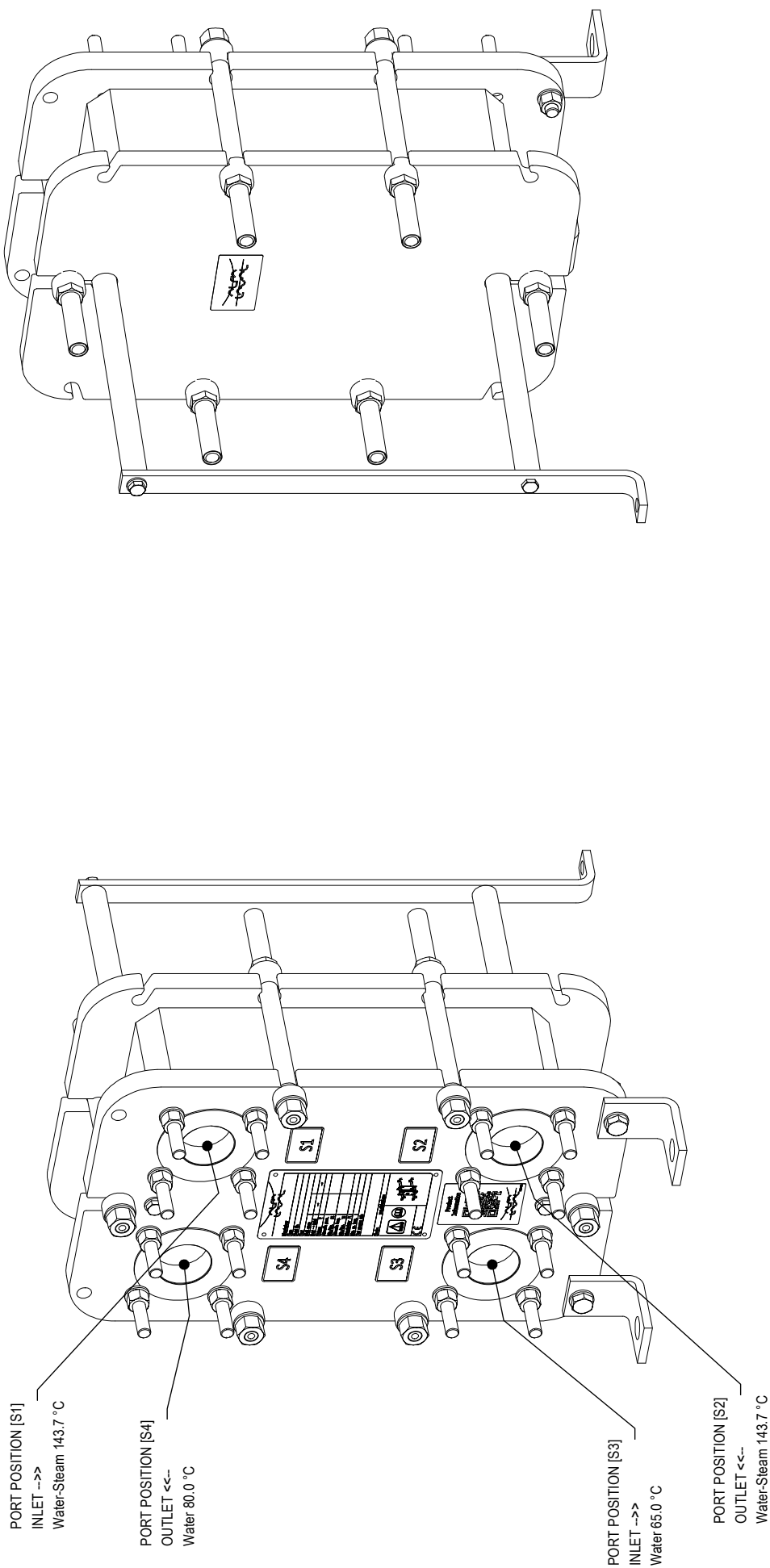


www.alfalaval.com



DATE: 2025-02-09
REVISION:0

If no specific information is provided, 500 full pressure cycles are allowed for the pressure-bearing parts!



HEAT EXCHANGED: 261.2 kW		NUMBER OF UNITS: 1		DESIGN PRESSURE		DESIGN TEMPERATURE		TEST	OPERATING	
SIDE	MEDIA	FLUID CLASSIFICATION GROUP	INLET TEMP.	OUTLET TEMP.	MAX.	MIN.	MAX.	MIN.	PRESSURE	MAX. TEMP.
1	Water-Steam	2	S1 143.7 °C	S2 143.7 °C	10.0 bar	0.0 bar	180.0 °C	0.0 °C	14.4 bar	143.7 °C
2	Water	2	S3 65.0 °C	S4 80.0 °C	10.3 bar	0.0 bar	105.0 °C	0.0 °C	14.9 bar	80.0 °C

Customer: Asepti B.V.

Order No.: 928956686row10
 Sales company: LUND_SEI
 Alfa Laval P.O. No: K26-697714-10
 Supplier: AAAM1060353
 Order No.:
 Serial No.:

Customer: Asepti B.V.

Order No.: 928956686row10
 Sales company: LUND_SEI
 Alfa Laval P.O. No: K26-697714-10
 Supplier: AAAM1060353
 Order No.:
 Serial No.:

DATE: 2026-02-09
 REVISION: 0

PRODUCTION DRAWING
 GASKETED PLATE HEAT EXCHANGER
TS6-MFG
 PED Category I

ALFA LAVAL
 www.alfalaval.com

CE